



***fleetwoods***® is an established manufacturer of cabinet doors, drawer fronts, end panels, dovetail drawer boxes as well as millwork.

**Some of the features of this offering:**

- CONVIENCE OF ONE STOP SHOPPING
- NO MINIMUM SIZE ORDER
- BOTH STOCK AND CUSTOM PROFILES
- ANY PROFILE
- ANY SPECIES (See Materials List)
- ANY QUANTITY
- MOULDING IS PROVIDED IN RANDOM LENGTHS
- SPECIFIED LENGTHS ARE AVAILABLE
  - UNDER 10' ADD 15%
  - 10' – 12' ADD 20%
  - 12' – 14" ADD 25%
- DELIVERY VIA OUR VAN IN MANY AREAS
- SHIPPING VIA SPEE DEE, UPS OR FEDEX (Some length restrictions apply)

**Our “F Series” Profile Offering:**

- All “F” Series are shown on page 11-02 and 11-03 of our moulding profile sheets
- NO MINIMUM ORDER UPCHARGE.
- Same lead times as our other products in your most used common species.
- Get these mouldings delivered with your door, drawer front, end panel and drawer box orders.

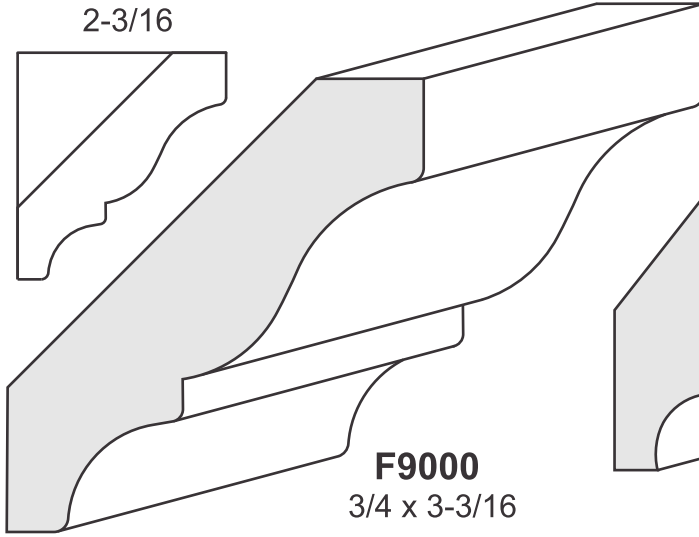
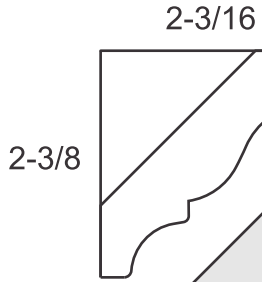
**Our “V Series” Profile Offering:**

- V859, V3750, V982, V603, V615, V671, V622, V642, V875, V876, V592 are shown on pages 2-5 of our moulding profile sheets.
- Add one week to our standard lead time.
- Small quantity orders are available.
- Minimum order charges
  - <50 Lft. per profile add \$75.00
  - 50 – 100 Lft. per profile add \$50.00
  - 100 – 150 Lft. per profile add \$25.00

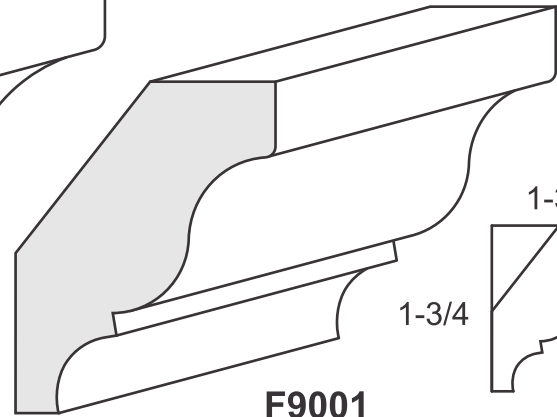
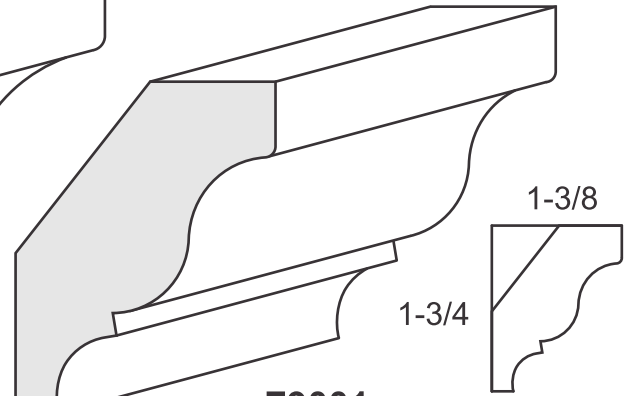


MOULDING

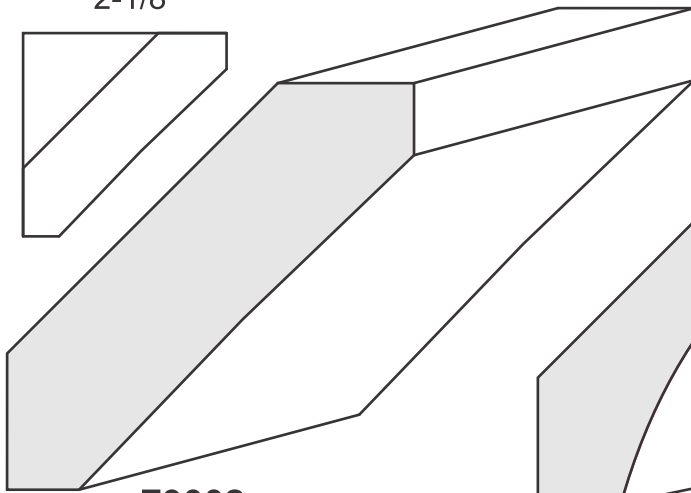
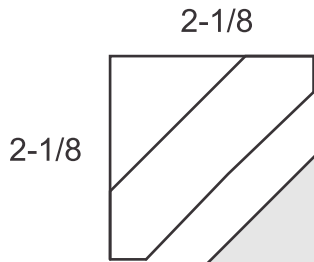
CROWN MOULDING



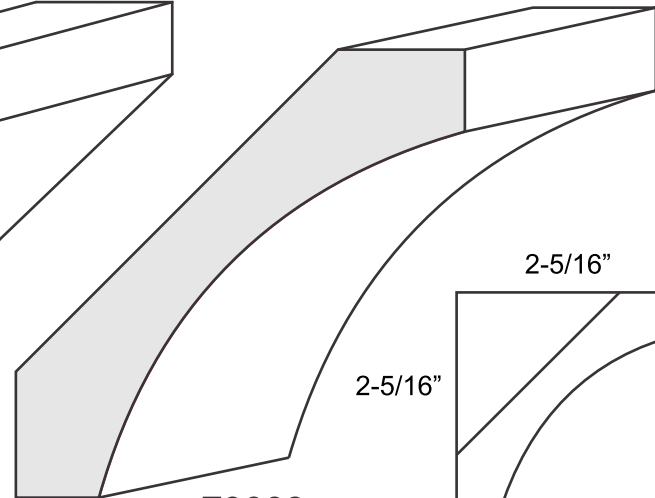
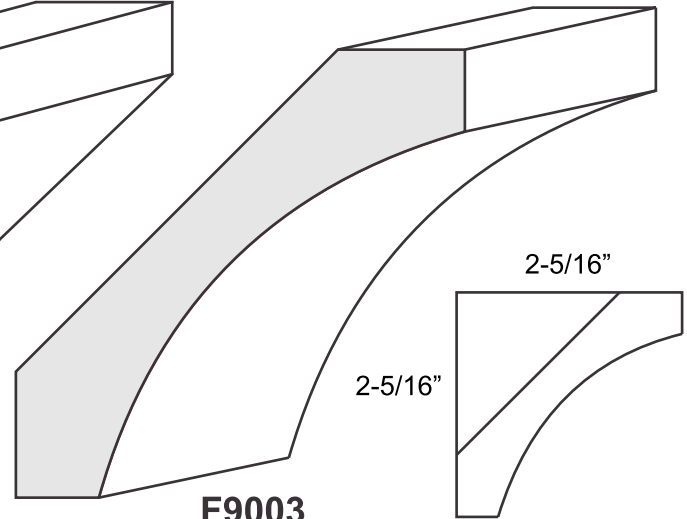
**F9000**  
3/4 x 3-3/16



**F9001**  
3/4 x 2-3/16



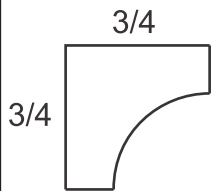
**F9002**  
3/4 x 3



**F9003**  
3/4 x 3-1/4

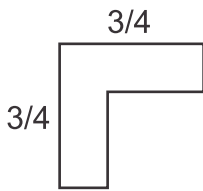
BASE SHOE

INSIDE CORNER

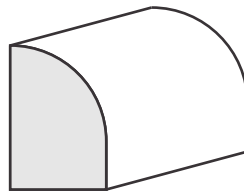


**F9005**

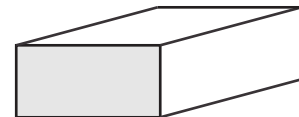
OUTSIDE CORNER



**F9200**



**F9600**  
1/2 x 3/4

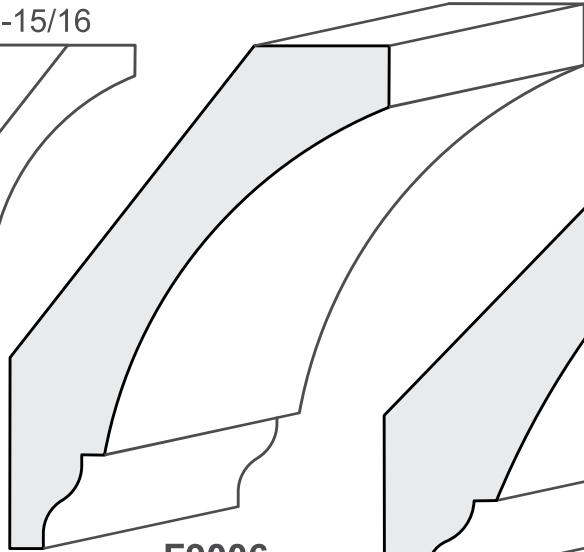
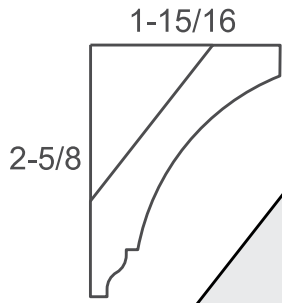


**F9601**  
3/8 x 3/4

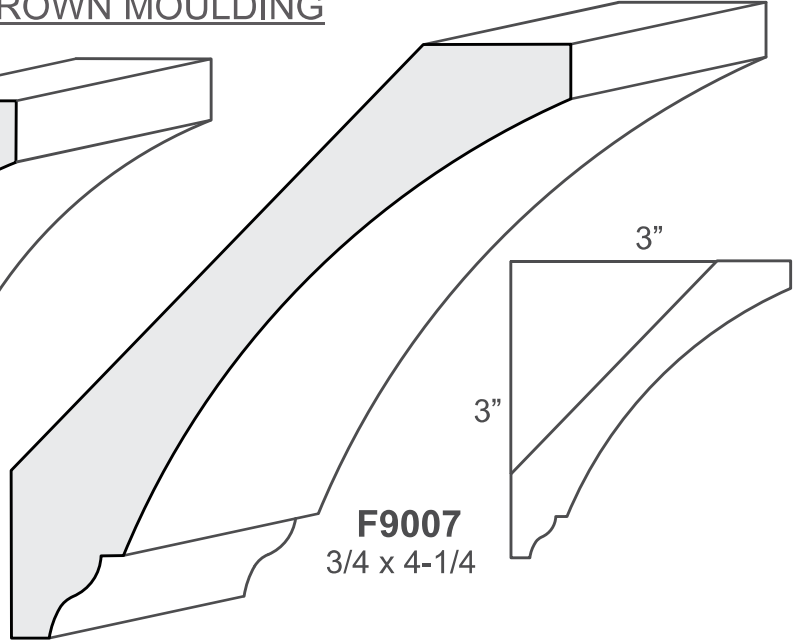


CROWN MOULDING

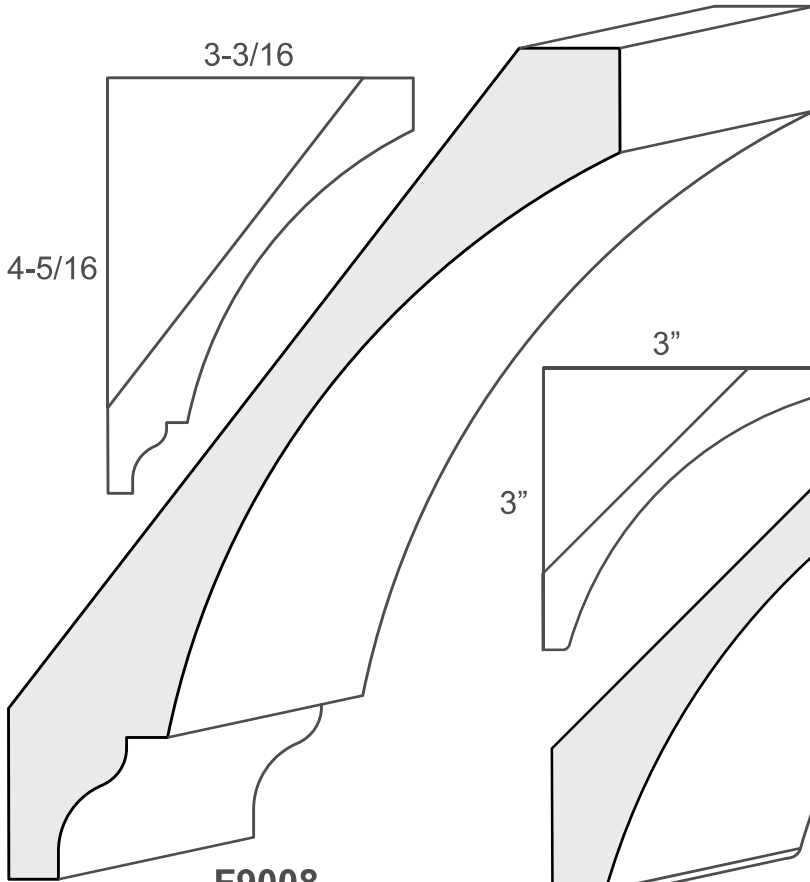
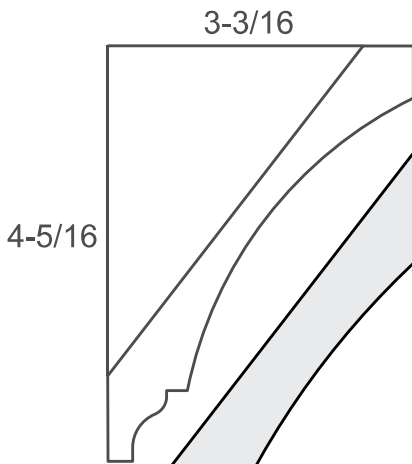
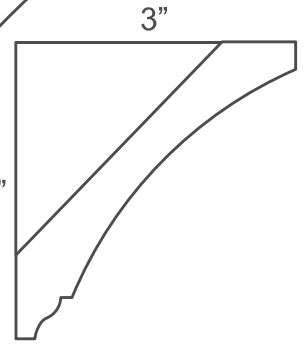
MOULDING



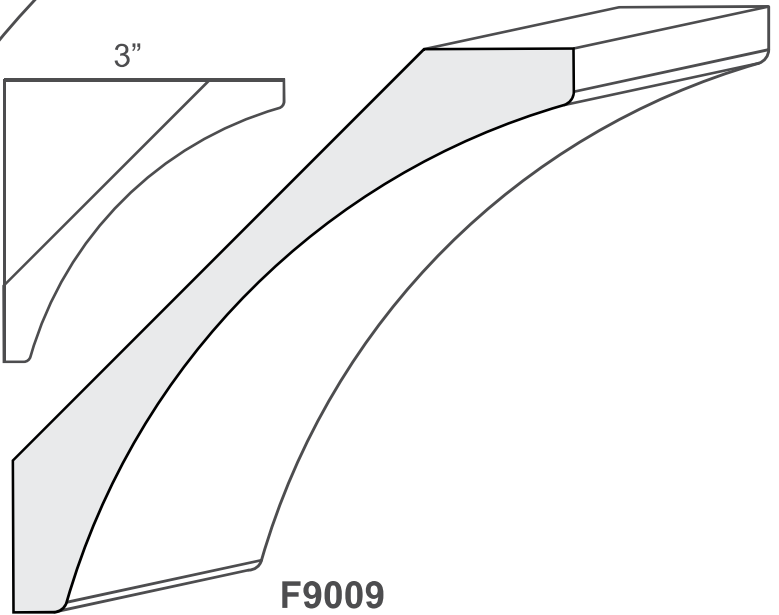
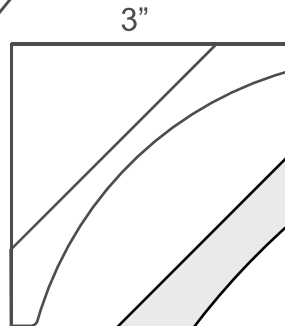
**F9006**  
3/4 x 3-1/4



**F9007**  
3/4 x 4-1/4



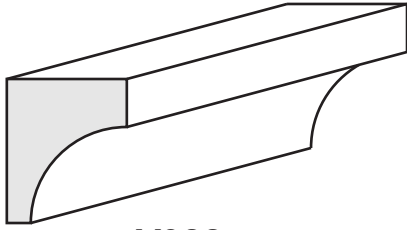
**F9008**  
3/4 x 5-3/8



**F9009**  
3/4 x 4-1/4

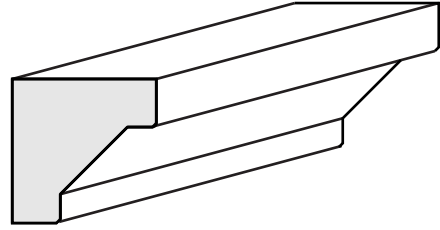


COVE



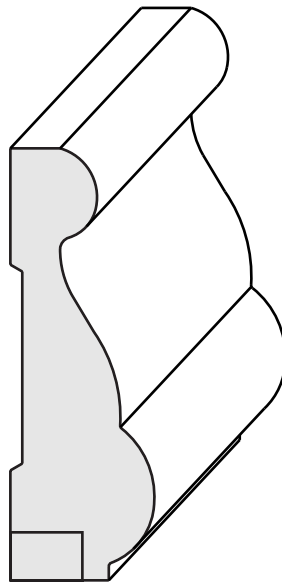
**V982**  
5/8 x 3/4

COVE



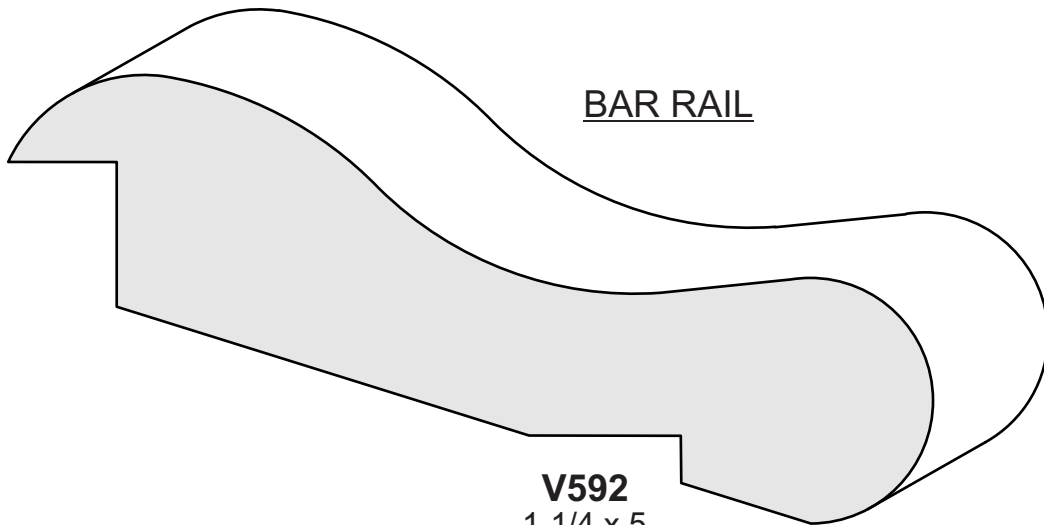
**V603**  
3/4 x 3/4

CHAIR  
PANEL &  
MANTEL



**V859** 3/4 x 2-1/4  
**V3750** 3/4 x 2-1/4  
**W/ RABBET** 1/4 x 3/8

BAR RAIL



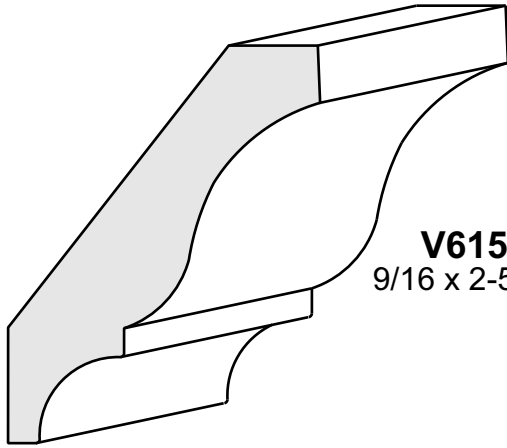
**V592**  
1-1/4 x 5

**MOULDING**

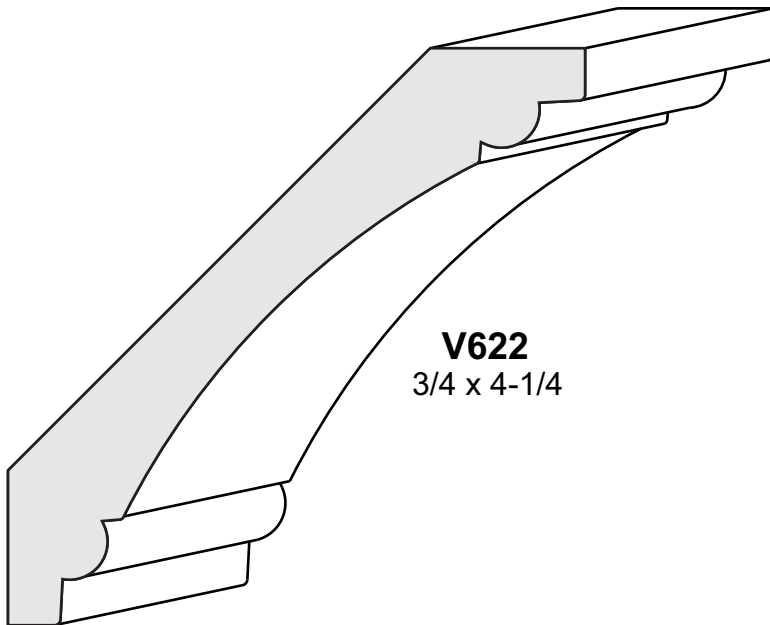
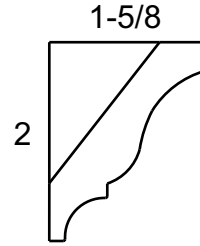


CROWN MOULDING

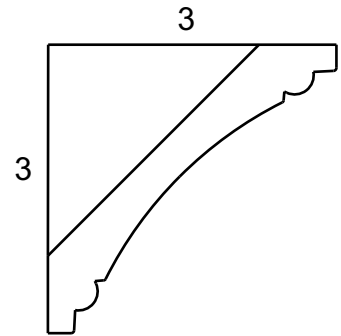
MOULDING



**V615**  
9/16 x 2-5/8

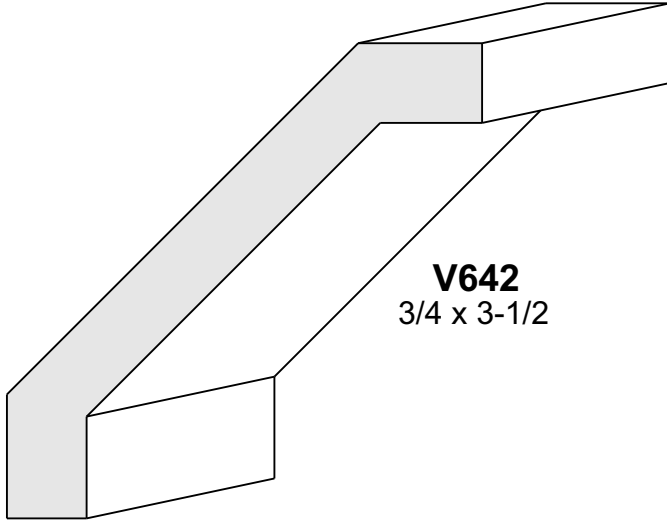


**V622**  
3/4 x 4-1/4

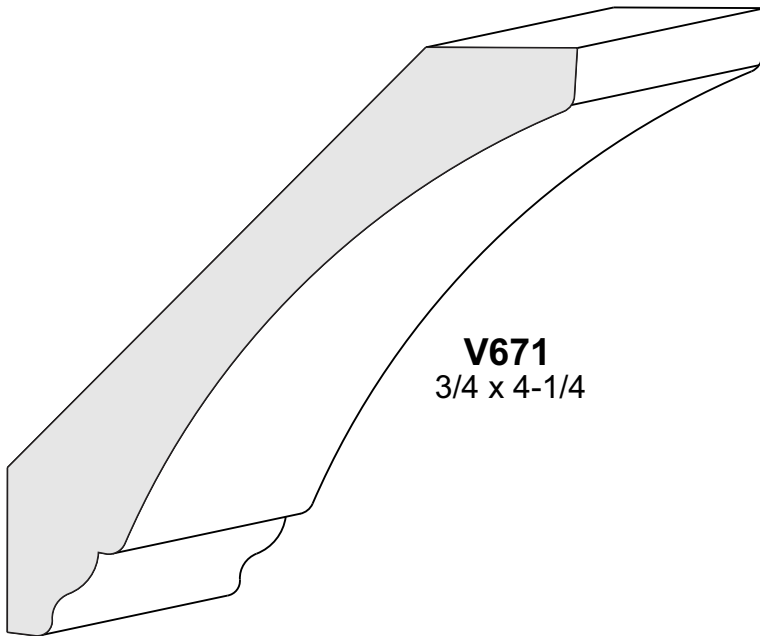
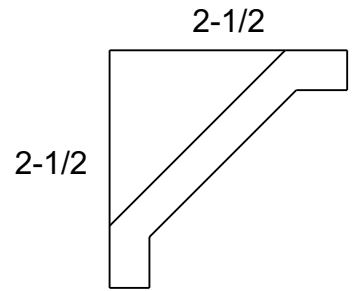




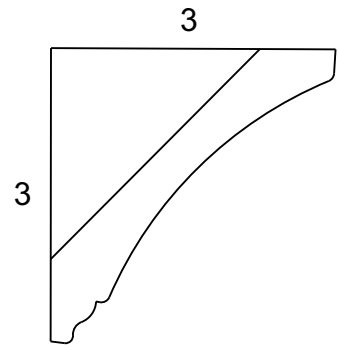
CROWN MOULDING



**V642**  
3/4 x 3-1/2



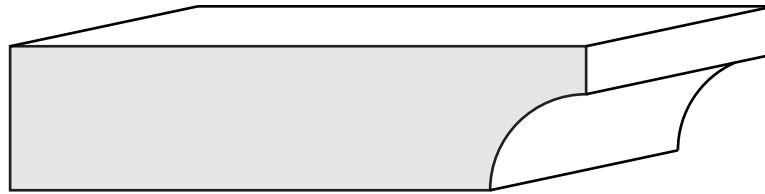
**V671**  
3/4 x 4-1/4



MOULDING

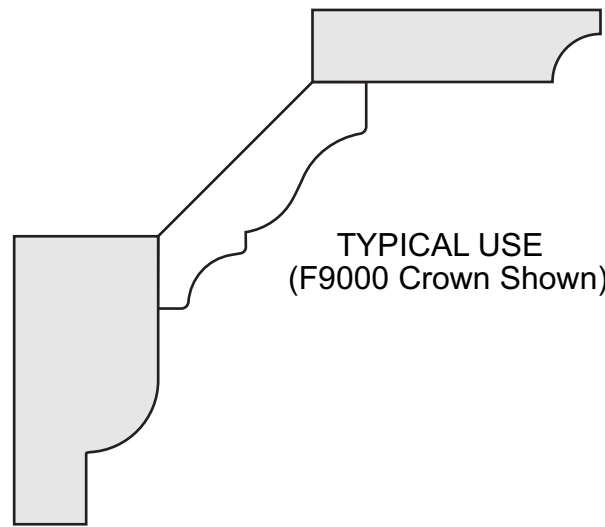


BEEF IT UP

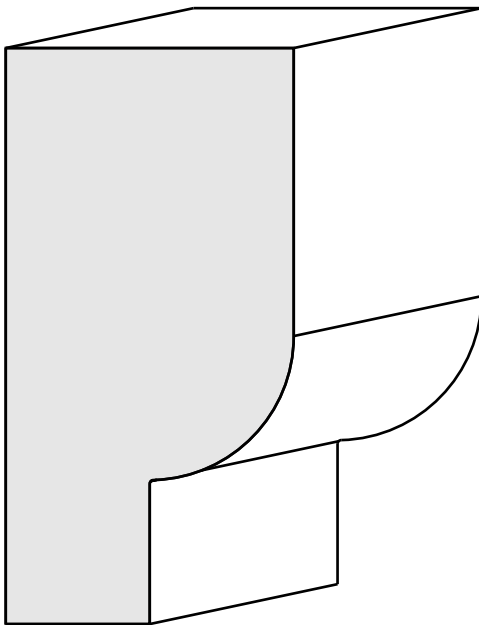


**V875 (CEILING MOUNT)**

3/4 x 3



TYPICAL USE  
(F9000 Crown Shown)



**V876 (WALL MOUNT)**

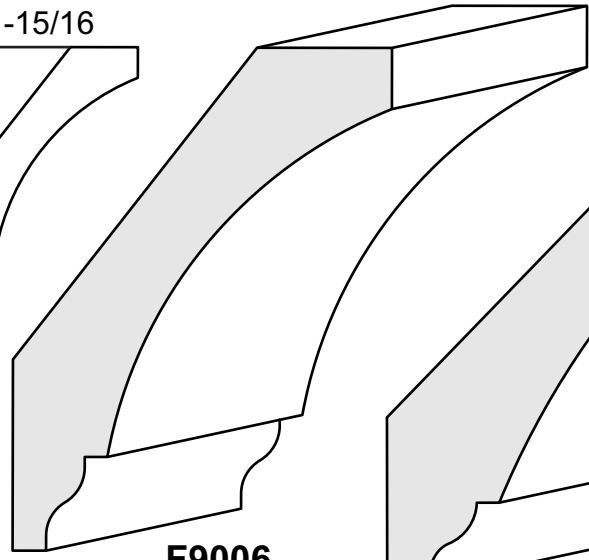
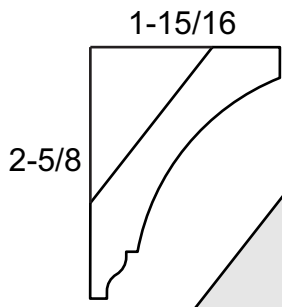
1-1/2 x 3

MOULDING

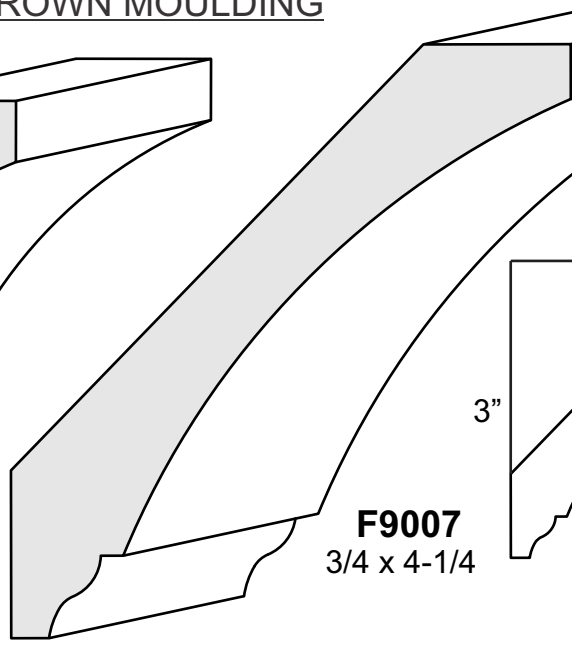
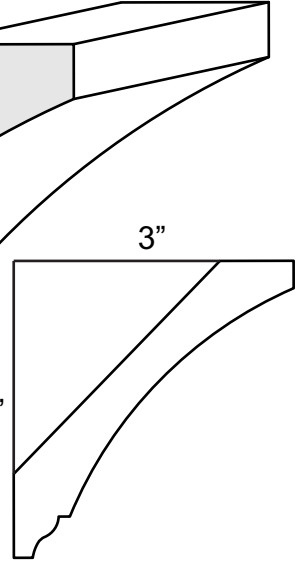


CROWN MOULDING

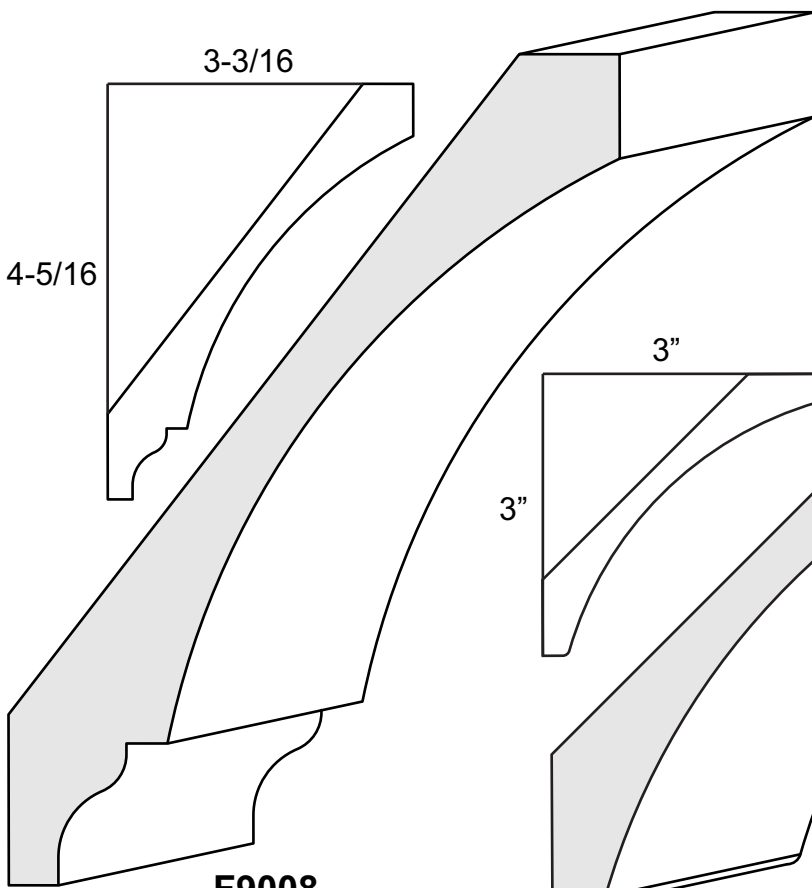
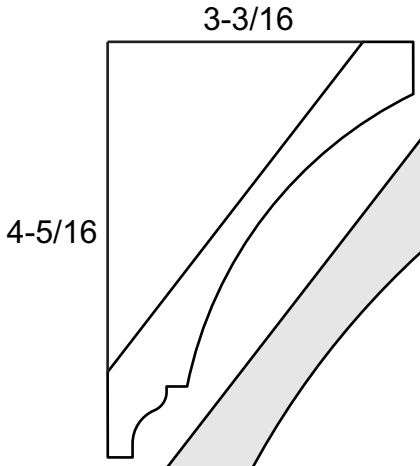
MOULDING



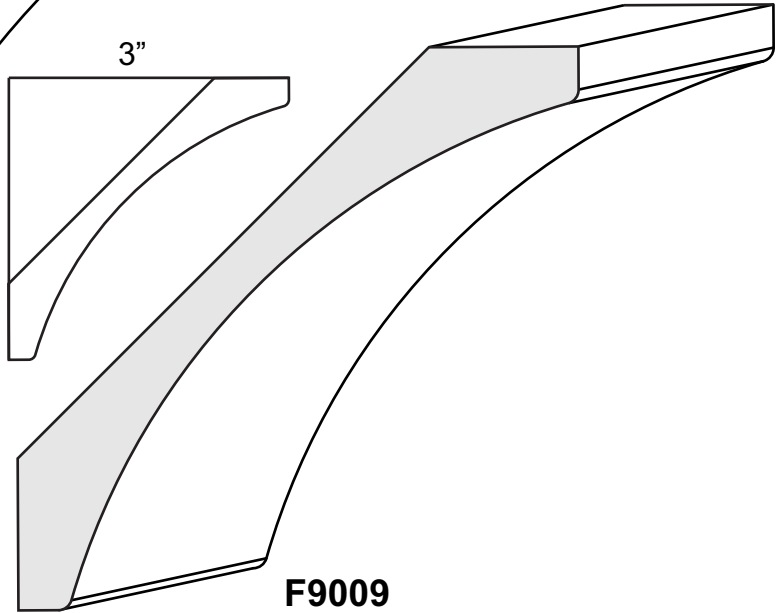
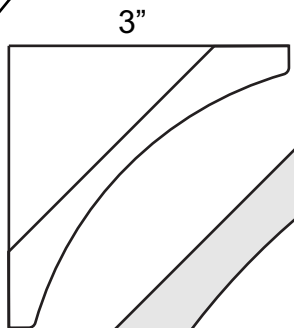
**F9006**  
3/4 x 3-1/4



**F9007**  
3/4 x 4-1/4



**F9008**  
3/4 x 5-3/8



**F9009**  
3/4 x 4-1/4